



PROVEN PERFORMER

Compact Commercial Laundry

LWS42 (top loading washer),

LES37 (electric dryer), LGS37 (gas dryer)

Top loading washer features

- Extra large capacity stainless steel tub keeps clothes looking their best
- Advanced suspension system reduces the possibility of an unbalanced load
- Commercial quality transmission offers highest reliability and durability
- Multi-cycle controls provide washing options to fit your laundry needs
- Large lid opening for easy loading

Single dryer features

- Durable galvanized steel cylinder with an extra-large 198 litres of volume
- Efficient dryer heating with 21 MJ (gas models) and up to 4,000 Watts (electric models)
- Large, easy-to-clean lint compartment
- Reversible door
- 1913.8 sq. cm door opening is the largest in the industry, providing easy loading and unloading
- Optional venting positions



EASY OPERATION



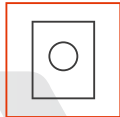
STAINLESS STEEL WASHER DRUM



LARGE DOOR OPENING



LOW ENERGY CONSUMPTION



ROBUST DESIGN

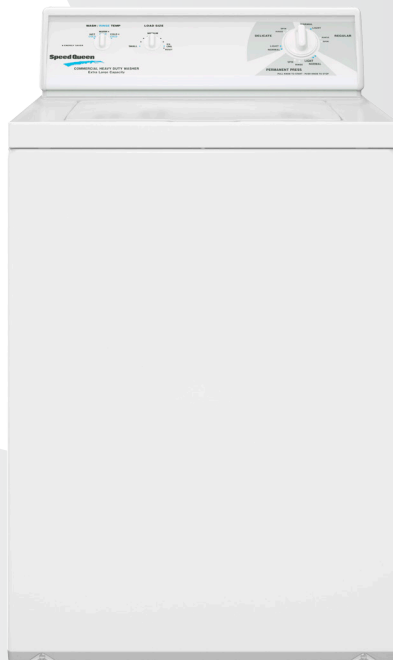
Controls

Top loading washer E-Mech control

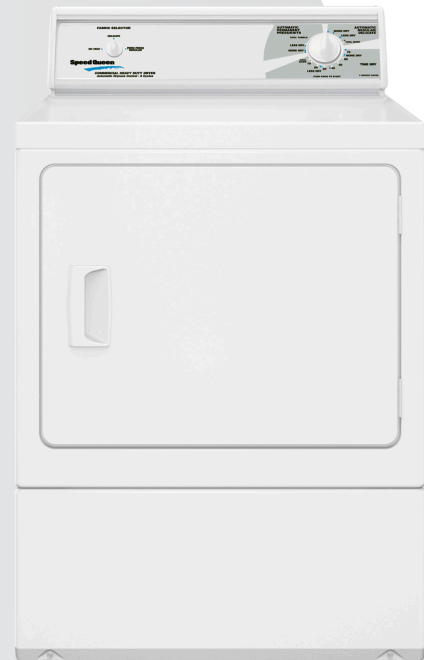
The E-Mech control features a straightforward design that offers users simple water temperature and fabric selections.

Single dryer E-Mech control

The E-Mech control features a straightforward design that offers users simple drying selections.



LWS42



LES37, LGS37

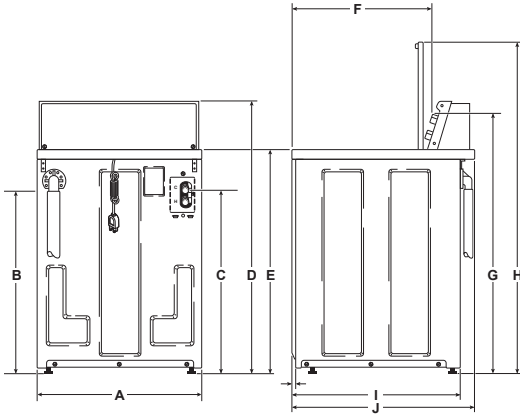
	LWS42	LES37 (Electric) LGS37 (Gas)
Type	Top Loading Washer	Single Dryer
Control	Emech	Emech
Control location	Rear	Rear
Drum		
Capacity kg	8 kg	9 kg
Cylinder volume litres	92.3 Lt	198 Lt
Width mm	650	683
Depth mm	711	711
Height mm	1092	1092
Drum speed		
Spin speed G-Force	150	n/a
Spin speed rpm	710	n/a
Motor		
Motor size kW	0.37	0.25
Cabinet		
Cylinder finish	White	White
Colours	White	White
Door type (solid/window)	n/a	Solid
Heating		
Heat sources	n/a	Electric or Gas, LPG optional
Heating element (Electric W)	n/a	4000
Connection		
Gas inlet connection mm	n/a	9.5
Gas consumption MJ/Hr	n/a	21.09 MJ
Exhaust outlet dia. mm	n/a	102
Exhaust airflow litres/sec	n/a	85
Water temperatures	3	n/a
Operation		
Cycles	Regular, Delicate, Permanent Press, Spin	Regular, Perm Press, Delicate, Time Dry, No Heat
Water consumption per cycle litres	92.2	n/a
Water pressure kPa	140/830 kPa	n/a
Power		
Electrical requirements (voltage/Hz/Ph)	240/50/1, 5 amp	240/50/1, Electric 20 amp, Gas 4 amp
Transport data		
Net weight kg	82	Electric/Gas 59/61
Shipping weight kg	88	Electric/Gas 64/66
Dimensions H×W×D mm	1092×650×711	1092×683×711
Packing dimensions H×W×D mm	1124×699×762	1156×737×832
Agency approvals		
Available agency approvals	Electric SAA	Electric SAA, Gas AGA #4946



Dimensions

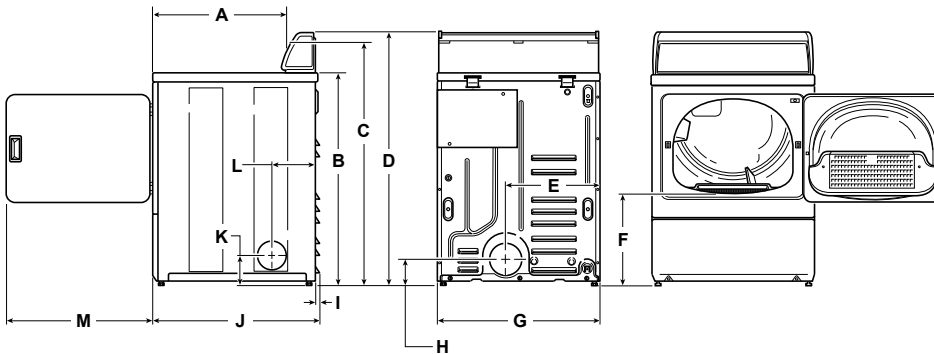
Top Loading Washer

	A	B	C	D	E	F	G	H	I	J
LWS42	651	745	730	1092	914	547	1025	1295	660	711



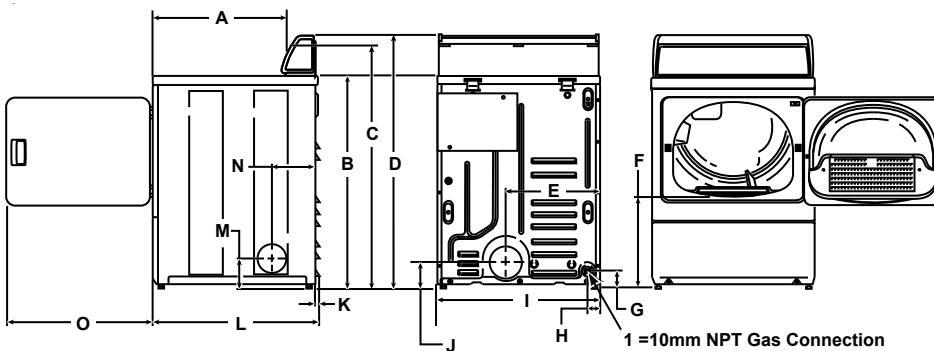
Electric Dryer

	A	B	C	D	E	F	G	H	I	J	K	L	M
LES37	589	914*	1036*	1092*	391	392*	683	102	10	711	114*	203	597



Gas Dryer

	A	B	C	D	E	F	G	H	I	J	K	L	M	N	O
LGS37	589	914*	1036*	1092*	391	392*	70*	60	683	102*	10	711	114*	203	597



All measurements are in mm. *With levelling legs turned into base.

NOTE: Exhaust openings are 102 mm metal ducting.





Speed Queen Equipment Sales Pty. Ltd.
26 Theobald Street, Thornbury, Vic 3071
Ph: (03) 9495 1300
Fax: (03) 9495 1600
W: www.speedqueensales.com.au
E: sales@speedqueensales.com.au
Servicing Victoria, Tasmania, S.A. & N.T.